



WATER SAVER 1.5 GPM SHOWER HEAD

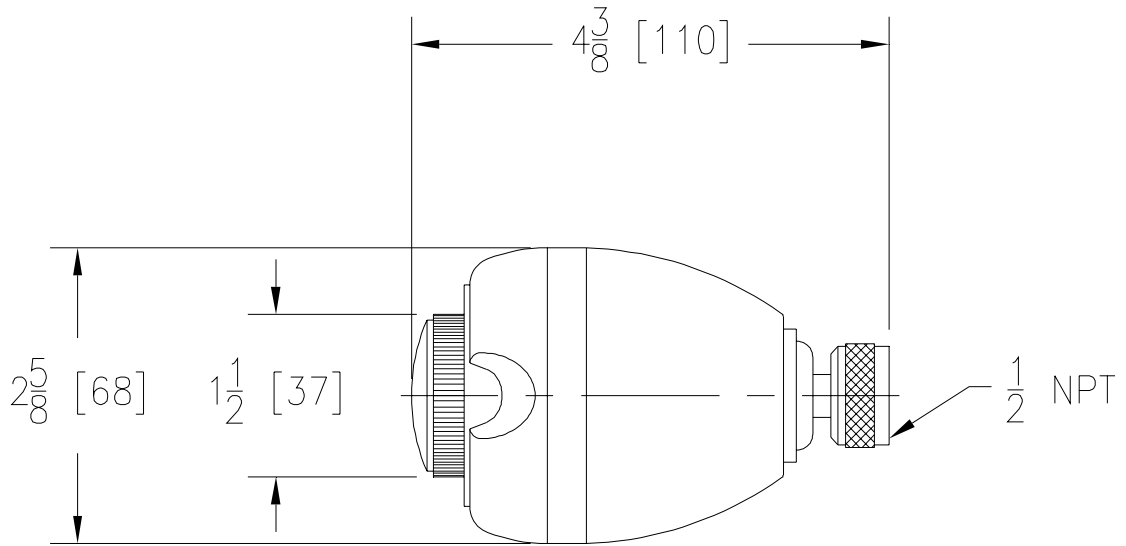
Z7000-S9

TAG _____



Engineering Specifications: Zurn Z7000-S9

Plastic chrome plated shower head with brass chrome plated ball joint connector, constant 1.5 gpm flowrate with non-removable flow compensator which keeps flowrate constant regardless of water pressure, 1/2" NPT female threaded inlet, and outer ring spray adjustment for coarse or soft massage spray.



Note: All dimensions are for reference only. Do not use for pre-plumbing.

OPTIONAL ACCESSORIES

Suffix	Description
NA	

ZURN INDUSTRIES, LLC ♦ COMMERCIAL BRASS OPERATION ♦ 2640 SOUTH WORK STREET ♦ FALCONER NY 14733

Phone: 1-716-665-1132 ♦ Fax: 1-716-665-1135 ♦ World Wide Web: www.zurn.com

In Canada: ZURN INDUSTRIES LIMITED ♦ 3544 Nashua Drive ♦ Mississauga, Ontario L4V1L2 ♦ Phone: 905/405-8272 Fax: 905/405-1292